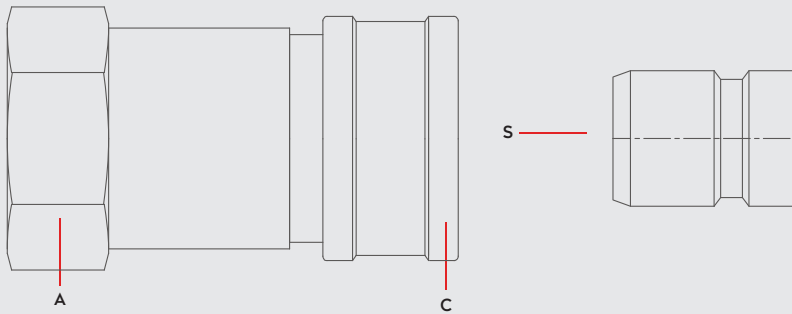


Materials



Material Code

- A = Brass Nickel Plated
- C = Brass Nickel Plated
- S = Brass Nickel Plated



0 - 10 bar
(0-145 PSI)



-20° to + 100°C (NBR)
-4° to + 212°F

Options

NICKEL

AISI316
Stainless Steel

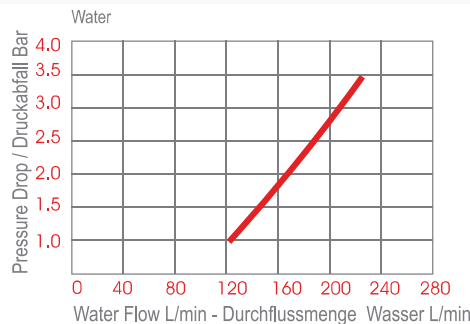
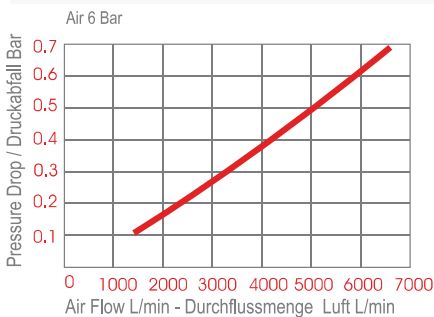
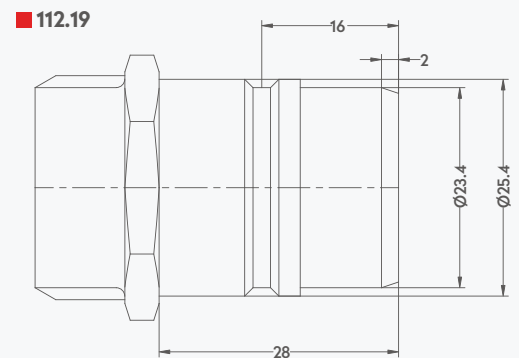
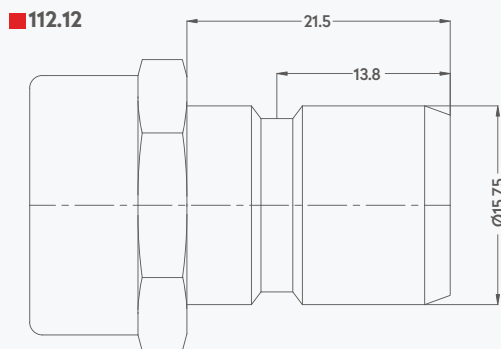


112.12
OM 262 - 01510
OM 200 - 00800 (valved)
112.19
OM 353 - 02340
OM200 - 03000 (valved)

Shut Off Type



Plug Profile Serie 112



Compatible with

PARKER - LEGRIS Ø12 - Ø19



VALVED QUICK COUPLINGS SCHNELLKUPPLUNGEN MIT VENTIL

← with female thread

Connection	Part No.	SW	L	ØD
BSP 3/8"	112.12 DG 17	27	55,5	28,8
BSP 1/2"	112.12 DG 21	27	55,5	28,8

← with hose tail

Connection	Part No.	SW	L	ØD
Ø 13	112.12 HG 13	27	87,7	28,8
Ø 15	112.12 HG 15	27	87,7	28,8
Ø 19	112.12 HG 19	27	93,3	28,8
Ø 19	112.19 HG 19	36	90,5	39,6

UNVALVED QUICK COUPLINGS SCHNELLKUPPLUNGEN OHNE VENTIL

← with female thread

Connection	Part No.	SW	L	ØD
BSP 3/8"	112.12 DGF 17	24	34	28,8
BSP 1/2"	112.12 DGF 21	24	34	28,8
BSP 3/4"	112.12 DGF 26	30	38	28,8
BSP 1"	112.12 DGF 33	36	40	28,8
BSP 1"	112.19 DGF 33	-	70	39,6

← with hose tail

Connection	Part No.	L	ØD
Ø 12	112.12 HGF 12	51	28,8
Ø 15	112.12 HGF 15	51	28,8
Ø 19	112.12 HGF 19	51	28,8
Ø 19	112.19 HGF 19	70	39,6

PLUGS STECKNIPPEL

← with male thread

Connection	Part No.	SW	L
BSP 3/8"	112.12 EU 17	22	31,5
BSP 1/2"	112.12 EU 21	22	37
BSP 3/4"	112.12 EU 26	27	41
BSP 1"	112.12 EU 33	35	41
BSP 3/4"	112.19 EU 26	27	28
BSP 1"	112.19 EU 33	35	28

← with female thread

Connection	Part No.	SW	L
BSP 1/4"	112.12 DU 13	17	37,5
BSP 3/8"	112.12 DU 17	21	37,5
BSP 1/2"	112.12 DU 21	25	37,5
BSP 3/4"	112.12 DU 26	32	42,5
BSP 1"	112.12 DU 33	38	45,5

← with hose tail

Connection	Part No.	L	ØD
Ø 7	112.12 HU 07	54	
Ø 10	112.12 HU 10	54	
Ø 12	112.12 HU 12	50	
Ø 13	112.12 HU 13	54	
Ø 15	112.12 HU 15	50	
Ø 16	112.12 HU 16	50	
Ø 19	112.12 HU 19	57,5	
Ø 19	112.19 HU 19	69	25,3
Ø 25	112.19 HU 25	69	25,3

← with male thread & hose barb

Connection	Part No.	SW	L
Ø 12 - BSP 1/2"	112.12 GU 12	22	41,2
Ø 13 - BSP 1/2"	112.12 GU 13	22	41,2
Ø 15 - BSP 1/2"	112.12 GU 15	22	41,2
Ø 19 - BSP 1/2"	112.12 GU 19	22	46,8

← with female thread (no SW)

Connection	Part No.	L	ØD
BSP 1/2"	112.12 DN 21	35	24
BSP 3/4"	112.12 DN 26	39	32
BSP 1"	112.12 DN 33	44	39