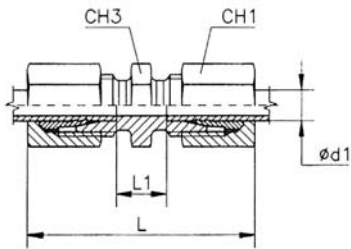


V 35

Gerade Einschraubverschraubungen, Außengewinde konisch nach ISO 7-1

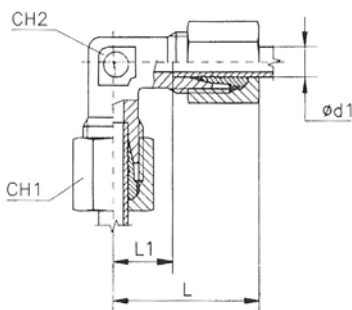
Artikel Nr.	Ident Nr.	Rohr- Außen- Ø	PN	Ø F2 Gewinde	I	L	L1	CH1	CH2
V 21	112121	4	100	R 1/8	8,0	18,0	8,0	10	11
V 22	112122	5	100	R 1/8	8,0	18,0	6,5	12	11
V 23	112123	6	100	R 1/8	8,0	18,0	6,5	12	11
V 24	112124	8	100	R 1/8	8,0	20,0	8,5	14	12
V 25	112125	6	315	R 1/8	10,0	23,0	7,0	14	12
V 26	112126	8	315	R 1/8	10,0	25,0	8,0	17	14
V 28	112127	6	315	R 1/4	13,0	24,0	8,0	14	17
V 29	112128	8	315	R 1/4	13,0	25,0	8,0	17	17
V 30	112129	10	315	R 1/4	13,0	26,0	9,0	19	17
V 31	112130	12	315	R 1/4	13,0	27,0	10,0	22	19
V 33	112131	6	315	R 3/8	13,0	20,0	9,0	19	14
V 34	112132	8	315	R 3/8	13,0	26,0	9,0	17	19
V 35	112133	10	315	R 3/8	13,0	27,0	10,0	19	19
V 36	112134	12	315	R 3/8	13,0	27,0	10,0	22	19
V 37	112135	15	315	R 3/8	13,0	29,0	11,0	27	24
V 38	112136	8	315	R 1/2	16,0	26,0	9,0	17	22
V 39	112137	10	315	R 1/2	16,0	27,0	10,0	19	22
V 40	112138	12	315	R 1/2	16,0	27,0	10,0	22	22
V 41	112139	15	315	R 1/2	16,0	29,0	11,0	27	24
V 42	112140	18	315	R 1/2	16,0	31,0	11,5	32	27
V 43	112141	18	160	R 3/4	18,0	32,0	11,5	32	32
V 44	112142	22	160	R 3/4	18,0	33,0	13,5	36	32



V 55

Gerade Verschraubungen

Artikel Nr.	Ident Nr.	Rohr-Außen-Ø	PN	L	L1	CH1	CH3
V 50	112143	4	100	31,0	12,0	10	9
V 51	112144	5	100	32,0	9,0	12	11
V 52	112145	6	100	32,0	9,0	12	11
V 53	112146	8	100	35,0	12,0	14	12
V 54	112147	6	315	39,0	10,0	14	12
V 55	112148	8	315	40,0	11,0	17	14
V 56	112149	10	315	42,0	13,0	19	17
V 57	112150	12	315	43,0	14,0	22	19
V 58	112151	15	315	46,0	16,0	27	24
V 59	112152	18	315	48,0	16,0	32	27
V 60	112153	22	160	52,0	20,0	36	32



V 75

Winkel-Verschraubungen

Artikel Nr.	Ident Nr.	Rohr-Außen-Ø	PN	L	L1	CH1	CH2
V 70	112154	4	100	21,0	11,0	10	9
V 71	112155	5	100	21,0	9,5	12	9
V 72	112156	6	100	21,0	9,5	12	9
V 73	112157	8	100	23,0	11,5	14	12
V 74	112158	6	315	27,0	12,0	14	12
V 75	112159	8	315	29,0	14,0	17	12
V 76	112160	10	315	30,0	15,0	19	14
V 77	112161	12	315	32,0	17,0	22	17
V 78	112162	15	315	36,0	21,0	27	19
V 79	112163	18	315	40,0	23,5	32	24
V 80	112164	22	160	44,0	27,5	36	27

Baumaße sind Circa-Maße bei angezogener Überwurfmutter.