

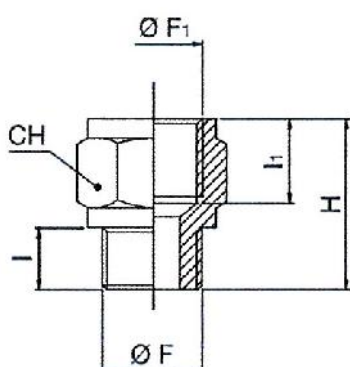
Standardverschraubungen »value line«

- Messing vernickelt -

Für Luft, Wasser, Dampf, Öl etc.

max. Betriebsdruck: 60,0 bar

max. Betriebstemperatur: 150 °C



230.08-N-E

Verlängerungsstück, kurz, zylindrisch

| Artikel Nr. | Ident Nr. | F | F1 | I | I1 | H | CH |
|-------------|-----------|-------|-------|------|------|------|----|
| 230.01-N-E | 115510 | M5 | G 1/8 | 4,0 | 8,0 | 14,5 | 14 |
| 230.02-N-E | 115511 | G 1/8 | G 1/8 | 6,0 | 8,0 | 16,0 | 14 |
| 230.03-N-E | 115512 | G 1/8 | G 1/4 | 6,0 | 11,0 | 19,5 | 17 |
| 230.04-N-E | 115513 | G 1/4 | G 1/4 | 8,0 | 11,0 | 21,5 | 17 |
| 230.05-N-E | 115514 | G 1/4 | G 3/8 | 8,0 | 11,5 | 22,5 | 22 |
| 230.06-N-E | 115515 | G 3/8 | G 3/8 | 9,0 | 11,5 | 23,5 | 22 |
| 230.07-N-E | 115516 | G 3/8 | G 1/2 | 9,0 | 14,0 | 27,0 | 24 |
| 230.08-N-E | 115517 | G 1/2 | G 1/2 | 10,0 | 14,0 | 28,0 | 26 |