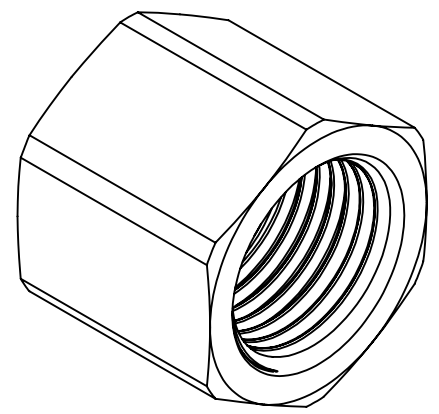


Ansicht / view A-A



|  |  |  |  |  |                        |
|--|--|--|--|--|------------------------|
|  |  |  | Maßstab / Scale: 1.5:1                 |  |                        |
|  |  |  | Material: CW 614N (CuZn39Pb3)          |  |                        |
|  |  |  | Benennung / Designation:               |  |                        |
|  |  |  | <b>Muffe m. Aussensechskant red.</b>   |  |                        |
|  |  |  | Bushing w. exterior hexagonal reducing |  |                        |
|  |  |  | Artikelnummer / item number:           |  | Status                 |
|  |  |  | <b>136574</b>                          |  | Format                 |
|  |  |  | Typ-Nr.: MSN252MU12M16                 |  | A4                     |
|  |  |  |  |  | Version                |
|  |  |  |  |  | Blatt / von sheet / of |
|  |  |  |  |  | 2 / 2                  |

