

1

2

3

4

5

6

A

A

B

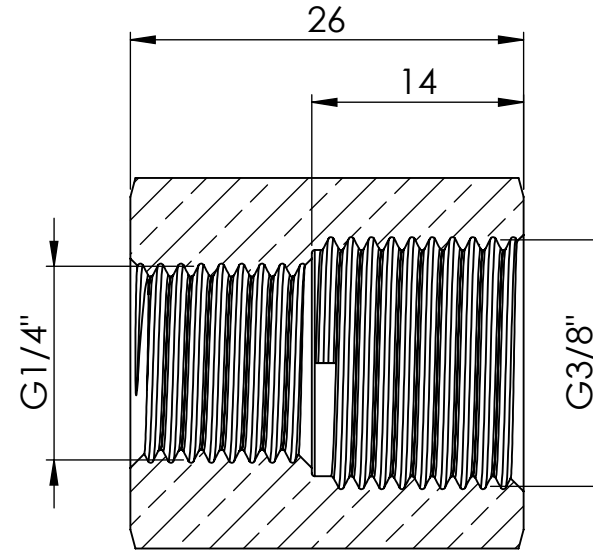
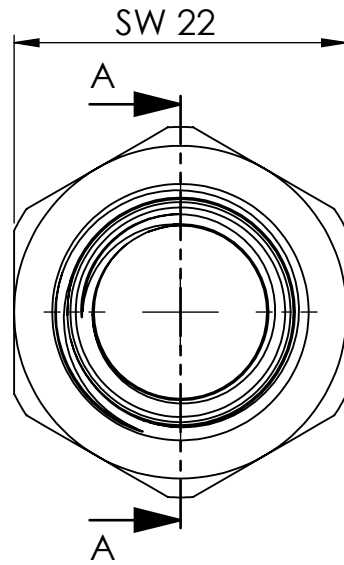
B

C

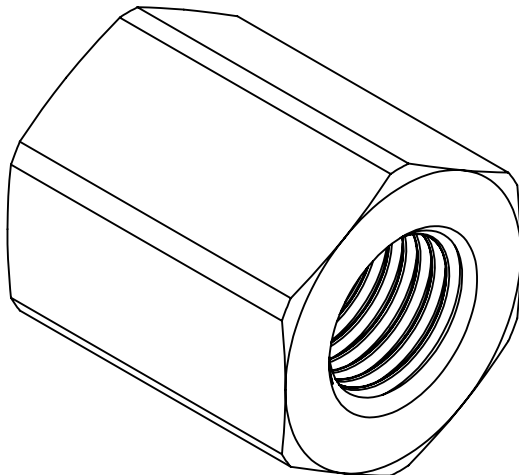
C


D

D



Ansicht / view A-A



| | | | | | | | | |
|--|--|--|--|--|--|--|--------|---------|
| | | | | | | Maßstab / Scale: 2:1 | | |
| | | | | | | Material: CW 614N (CuZn39Pb3) | | |
| | | | | | | Benennung / Designation: | | |
| | | | | | | Muffe m. Aussensechskant red. Bushing w. exterior hexagonal reducing | | |
| | | | | | | Artikelnummer / item number: | Status | Format |
| | | | | | | 136571 Typ-Nr.: MSN252MU1438 | | Version |
| | | | | | |  Schützenstraße 27, 72574 Bad Urach Telefon: 07125 9497-0 | | |

1

2

3

4

5

6